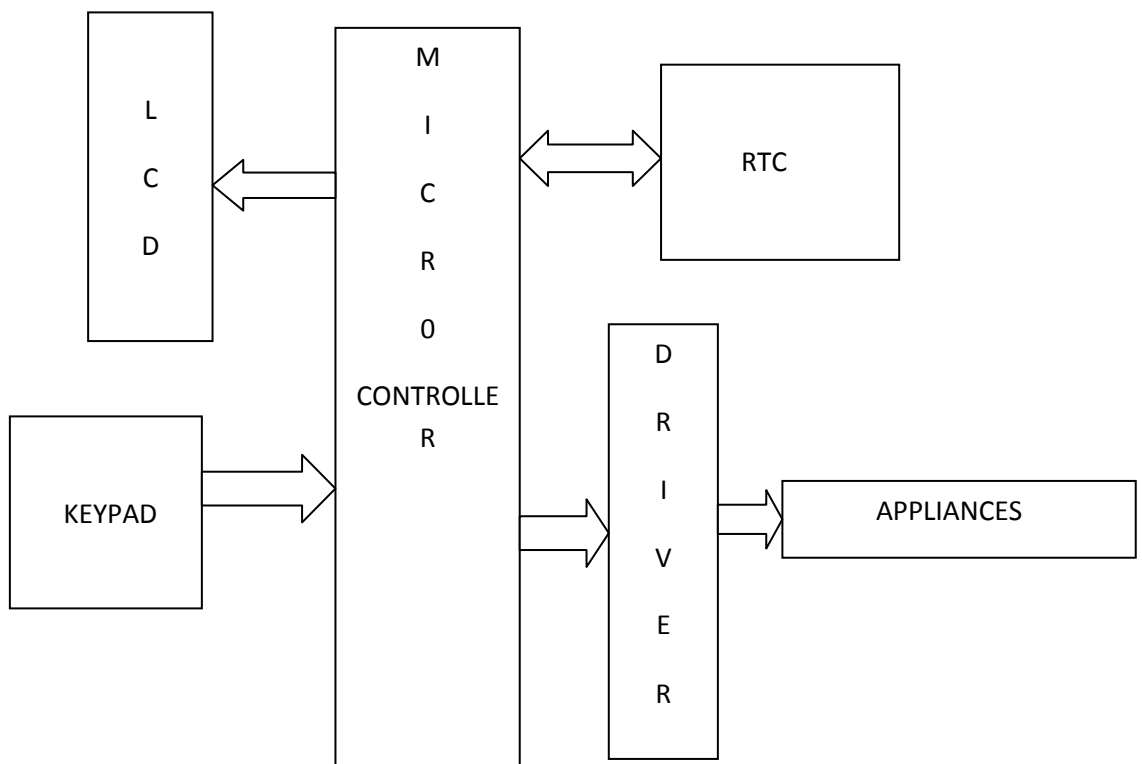


Industry Automation

Introduction

In today's competitive world automation plays vital role. In this project we can automate the process as per time requirement. Here RTC (real time clock), Key pad, LCD and different appliances is interfaced with microcontroller. The ON/OFF time for any appliance can be set by using key pad. As per the program time set by keypad the appliance will switch ON or OFF. Following block diagram gives idea of interfacing.



Microcontroller:

Microcontroller is the main controlling unit. Microcontroller is programmed as per the requirement of the system.

LCD:

LCD is the main display unit. Used to display the time setting and other important information.

RTC:

Real time clock (RTC) is a device which is use to set a time. This device is a clock device and keeps the track of time. Microcontroller read the time from RTC.

Driver:

As sourcing current of microcontroller is low, to bust the current driver circuit is required.

Appliances:

Here appliances can be any industrial appliance or home appliance. The appliance can be ON/OFF as per the time set by key pad and programming.